



LEO.



DESCRIPTION Rectangle concrete vessel sink with straight sides and soft edges.

COLLECTION ZEITLOS

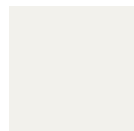
FINISH Smooth

DIMENSIONS 24" L x 16" W x 5" H

WEIGHT 48 lbs.

DRAIN RQD 1-3/4" max. w/o overflow, not included

COLORS



Chalk



Sandhills



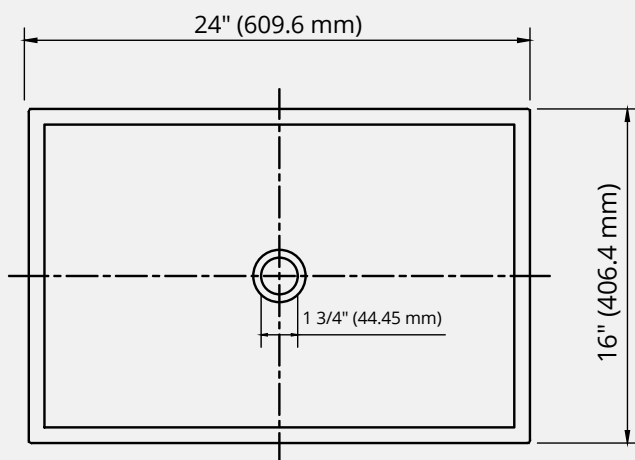
Winter Fir



Thunder



Charcoal



Sinks are handmade.
Basin dimensions may vary by 1/4".

