



# JAS.



DESCRIPTION Round concrete vessel sink with smooth sides and softened edges.

COLLECTION ZEITLOS

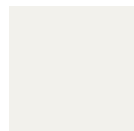
FINISH Smooth

DIMENSIONS 16"  $\varnothing$  x 5" H

WEIGHT 27 lbs.

DRAIN RQD 1-3/4" max. w/o overflow, not included

COLORS



Chalk



Sandhills



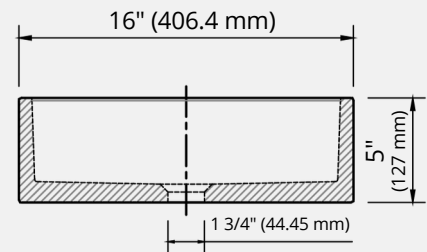
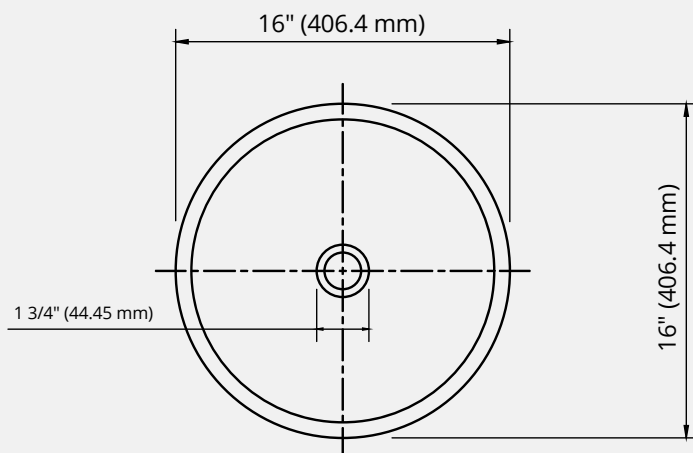
Winter Fir



Thunder



Charcoal



Sinks are handmade.  
Basin dimensions may vary by 1/4".