



# ARO.



DESCRIPTION Oversized oval concrete vessel sink with sleek sides and softened edges.

COLLECTION ZEITLOS

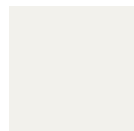
FINISH Smooth

DIMENSIONS 23" L x 13" W x 5" H

WEIGHT 34 lbs.

DRAIN RQD 1-3/4" max. w/o overflow, not included

## COLORS



Chalk



Sandhills



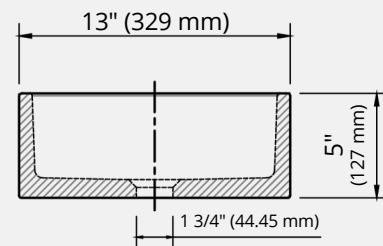
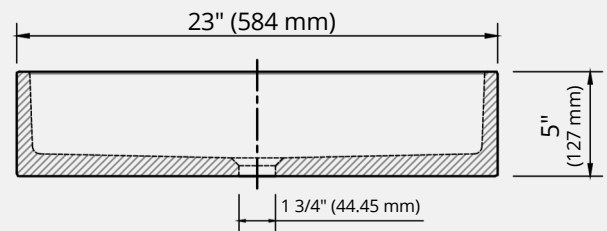
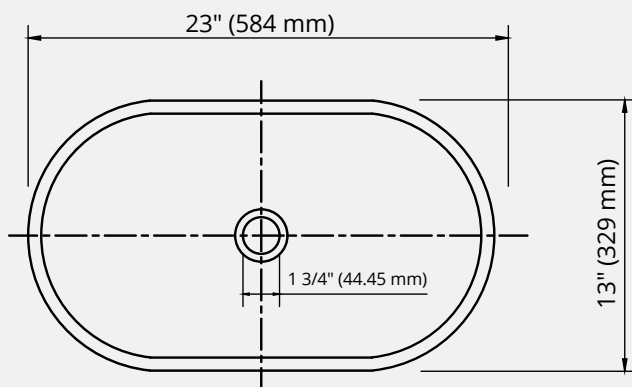
Winter Fir



Thunder



Charcoal



Sinks are handmade.  
Basin dimensions may vary by 1/4".